

Compact Swivel Joints

- Exceptionally compact slim design
- Light weight construction
- Combination bearings



Construction Materials

Carbon Steel or Stainless Steel.

Seals

Nitrile, Fluorocarbon or PTFE.

Sizes (Inches)

2, 3, 4, 5, 6, 8, 10, 12.

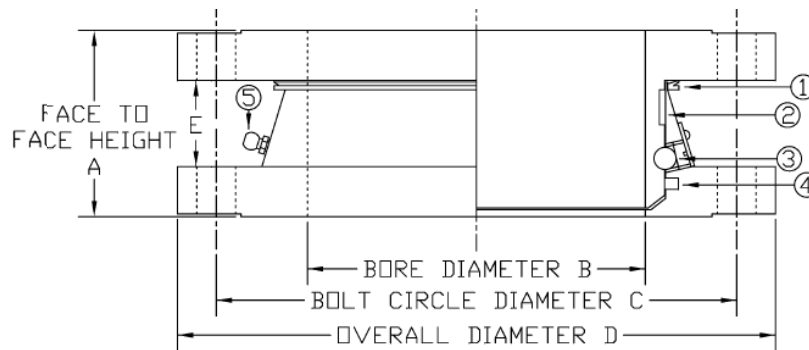
Flanges

Standard ANSI 150 lb.

Note: Other construction, seal materials and sizes on request.

- 1) Dust Seal
- 2) Roller Bearings
- 3) Ball Bearings
- 4) Main Seal
- 5) Lubrication Point

*Please check clearance with nut type being used.



Nominal Size	Dimn A (mm)	Dia. B (mm)	Bolt Circle C (mm)	Major Dia. D (mm)	Dimn E (mm)	No. Bolt Holes	Bolt Size (mm)	Rated Working Pressure (PSI)
2"	68	49	121	152	30	4	19	150
2.5"	78	59	140	178	30	4	19	150
3"	78	74	152	191	30	4	19	150
4"	82	97	191	229	34	8	19	150
5"	94	122	216	254	47	8	22	150
6"	95	146	241	279	44	8	22	150
8"	106	194	298	343	49	8	22	150
10"	106	248	362	406	52	12	25	150
12"	118	298	432	483	52	12	25	150

All dimensions in mm ± 0.5 mm. Dimensions to be confirmed prior to order.

EW Fuel Management Ltd

27 Kneesworth Street, Royston, Hertfordshire, SG8 5AB. England.

Tel : + 44 (0) 1763 248 650 Fax : +44 (0) 1763 248 970 Email : sales@ewfm.co.uk