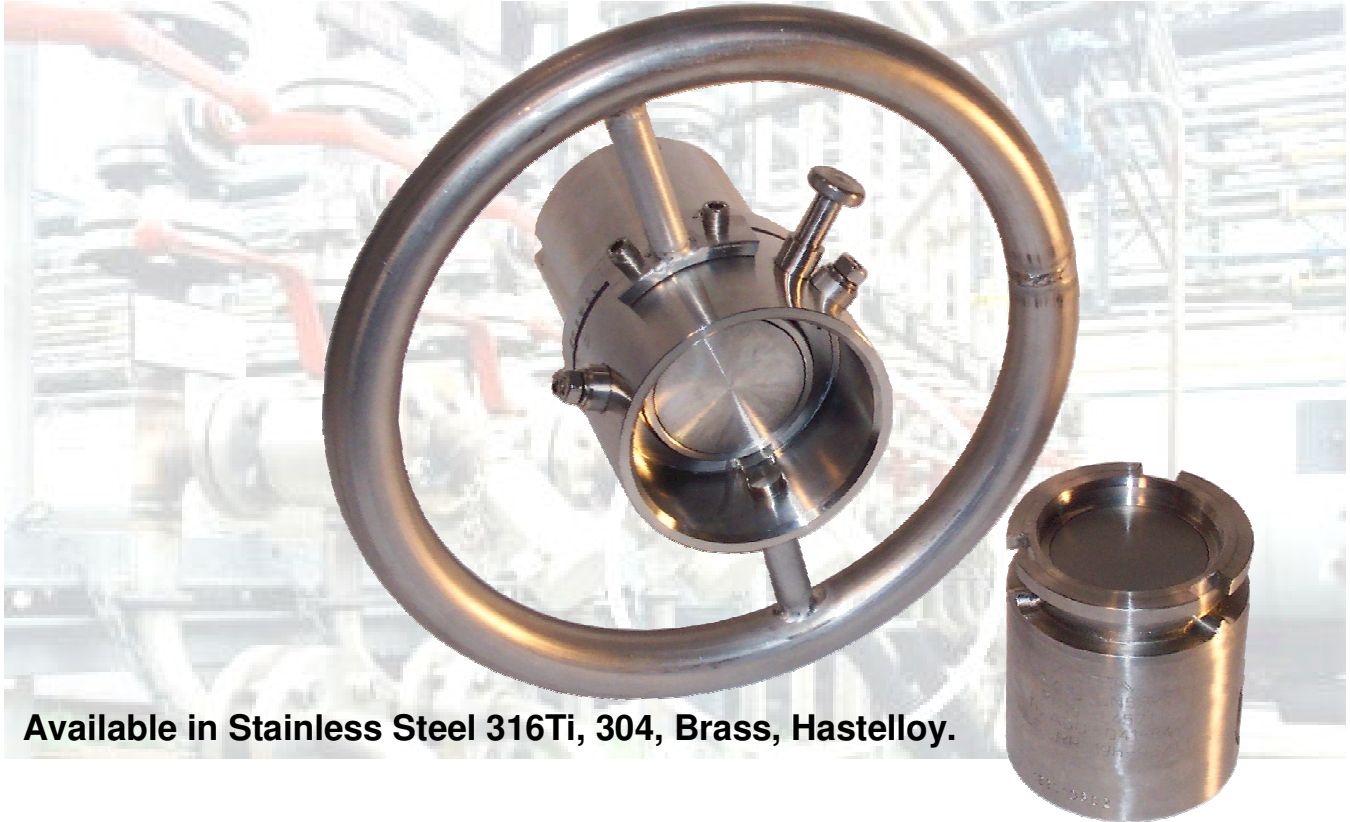


Engineered Couplings

The ASK® engineered range of Couplings and Adapters offers a safe, reliable, easy to operate coupling system available in a wide range of sizes and special materials



Available in Stainless Steel 316Ti, 304, Brass, Hastelloy.

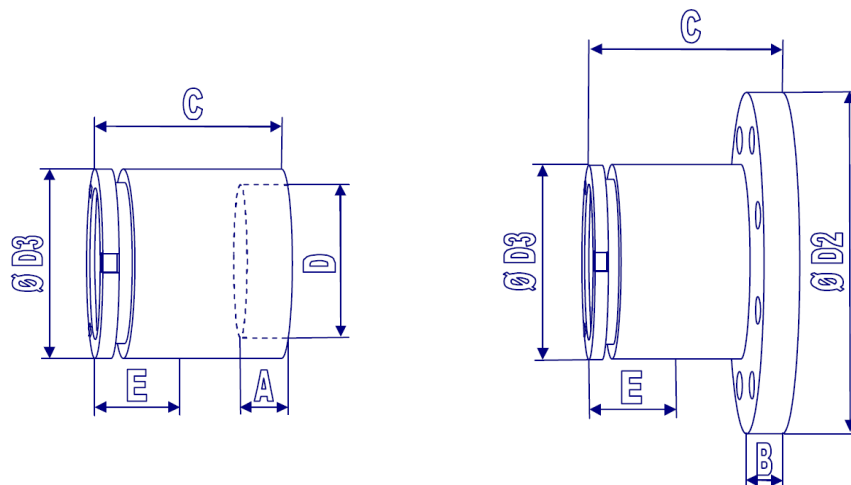
ACID applications
See back page for details



Engineered Couplings

Adapters MALE										
Size	Connection Type / Size	PN (Bar)	D	Ø D2 (mm)	A (mm)	B (mm)	C (mm)	E* (mm)	Ø D3 (mm)	Wt. (kg)
½" (DN15)	Female thread	40	G½"	-	14	-	74	21	40	0.3
	½" Flange ANSI 300	40	-	95.3	-	14.2	97	21	40	1.0
1" (DN25)	Female thread	25	G1"	-	16	-	97	24	55.5	0.8
	1" Flange ANSI 300	25	-	123.8	-	17.5	79	24	55.5	1.8
2" (DN40)	Female thread	25	G1½"	-	16	-	106	34	69.5	1.8
	Female thread	25	G2"	-	16	-	96	34	69.5	1.8
	2" Flange ANSI 300	25	-	165.1	-	22.4	95	34	69.5	4.6
3" (DN80)	Female thread	25	G3"	-	23	-	148	42	119	3.9
	3" Flange ANSI 300	25	-	209.6	-	28.5	128	42	119	9.6
4" (DN100)	Female thread	16	G4"	-	22	-	150	36	164	6.5
	4" Flange ANSI 150	16	-	228.6	-	23.9	125	36	164	10.5
5" (DN125)	5" Flange ANSI 150	16	-	254	-	23.9	175	50	199	14.2
6" (DN150)	6" Flange ANSI 150	16	-	279.4	-	25.4	200	50	224	16.6
8" (DN200)	8" Flange ANSI 150	16	-	342.9	-	28.5	250	75	330	45

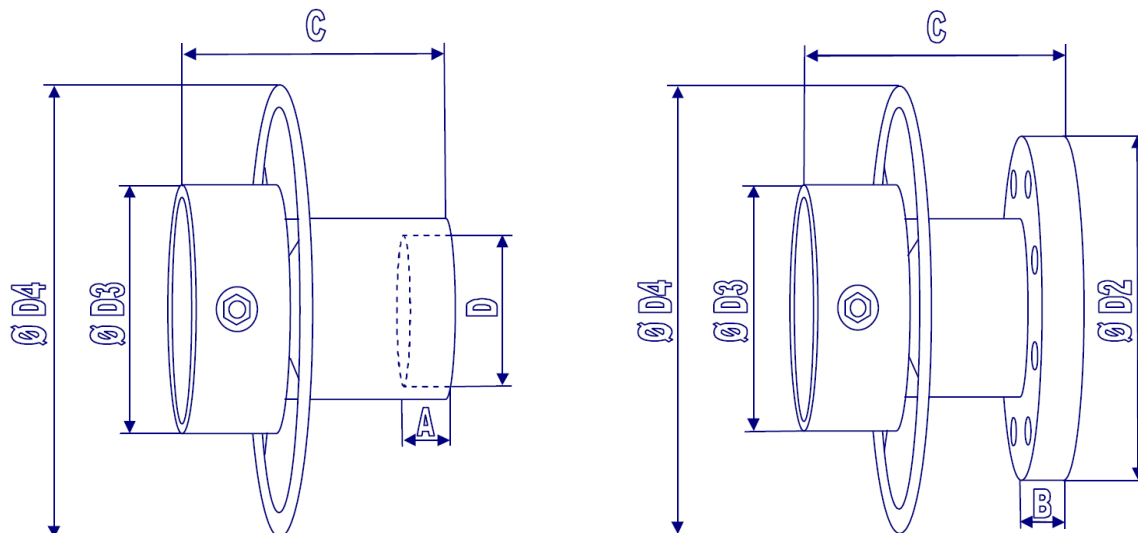
E*: for calculation of the total o/all length of coupled male and female = C (male part) + C (female part) – E (common length)
Standard threaded units with BSP female thread according to ISO 228 or with ANSI B16.5 flange. Other types i.e. male Thread or TTMA flange connection types available on request.



Engineered Couplings

Couplings FEMALE										
Size	Connection Type / Size	PN (Bar)	D	Ø D2 (mm)	A (mm)	B (mm)	C (mm)	Ø D3 (mm)	Ø D4 (mm)	Wt. (kg)
½" (DN15)	Female thread	40	G½"	-	14	-	98	50	60	0.8
	½" Flange ANSI 300	40	-	95.3	-	14.2	98	50	60	1.5
1" (DN25)	Female thread	25	G1"	-	16	-	125	65	95	2.1
	1" Flange ANSI 300	25	-	123.8	-	17.5	125	65	95	2.9
2" (DN40)	Female thread	25	G1½"	-	16	-	137	84	240	3.5
	Female thread	25	G2"	-	16	-	137	84	240	3.5
	2" Flange ANSI 300	25	-	165.1	-	22.4	137	84	240	6.3
3" (DN80)	Female thread	25	G3"	-	23	-	222	136	280	9.8
	3" Flange ANSI 300	25	-	209.6	-	28.5	200	136	280	15.1
4" (DN100)	Female thread	16	G4"	-	22	-	230	189	370	11.5
	4" Flange ANSI 150	16	-	228.6	-	23.9	205	189	370	16.5
5" (DN125)	5" Flange ANSI 150	16	-	254	-	23.9	250	215	370	19.5
6" (DN150)	6" Flange ANSI 150	16	-	279.4	-	25.4	290	240	524	23.4
8" (DN200)	8" Flange ANSI 150	16	-	342.9	-	28.5	355	350	640	78

ØD4 : Standard types ½" (DN15) and 1" (DN25) are supplied with PE (Polyethylene) handle, 2" (DN40)+ sizes handle supplied in Stainless Steel. Standard threaded units with BSP female thread according to ISO 228 or with ANSI B16.5 flange. Other types i.e. male Thread or TTMA flange connection types available on request.



Engineered Couplings

Please complete the question sheet below and send to EWFM by
Fax : +44 (0) 1763 248 970 or email : sales@ewfm.co.uk

Should you have any questions please do not hesitate to contact us.

Contact Details	
Name	
Company	
Telephone	
Fax	
Email	

1	Male Adapter / Female Coupling or both	
2	Fluid or gas to be transferred. (CAS. No).	
3	Fluid concentration (%).	
4	Operating pressure.	
5	Operating temperature.	
6	Preferred material of construction.	
7	Preferred seal material.	
8	Flange or thread type required.	
9	Size (see data sheet)	
10	Quantity required : Male Adapters	
	Quantity required : Female Couplings	
Please list any special details or requirements.		

Engineered Couplings

ACID applications

Couplings & Adapters in Black PTFE, Monel or Hastelloy.



Model ASK®KS

Material / Size :

Black PTFE : 1", 1¼", 1½", 2".

Monel & Hastelloy : 2"+ sizes on request.

Please contact us for further information