

API Coupler 4"

Model 3659 API Coupler for bottom loading to API RP1004 for connection to the tank trucks mating API Adapter.

This unit contains 2 trigger mechanisms to prevent accidental opening of the valve and 5 interlock lugs for secure holding during loading operations.

Specification

- Aluminium body, sleeve, valve & lever
- Anodised surface finish
- Viton seal material
- PTFE bushing
- Stainless Steel internal components
- 5 Stainless Steel interlock lugs
- 2 Stainless Steel trigger lugs
- TTMA Flanged inlet
- TTMA Gasket

Working Pressure : 10 Bar (max).
Test Pressure : 15 Bar.

Spare Parts & Seal Kits available from Stock.

Model 3659 API Coupler is fitted as standard to our Bottom Hose Loading Arm model 750.

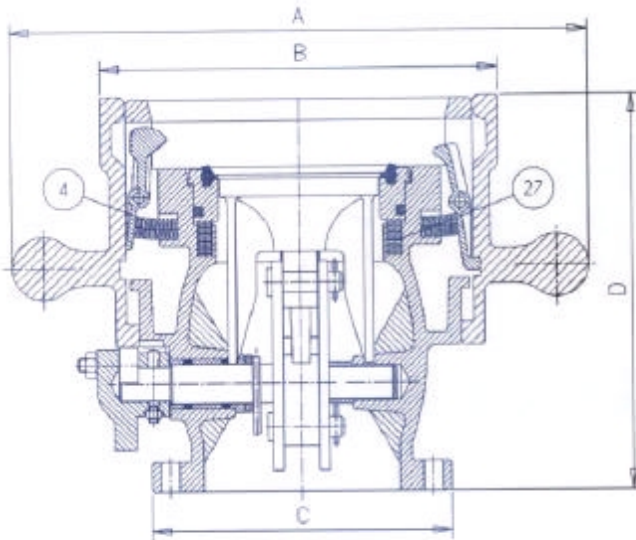
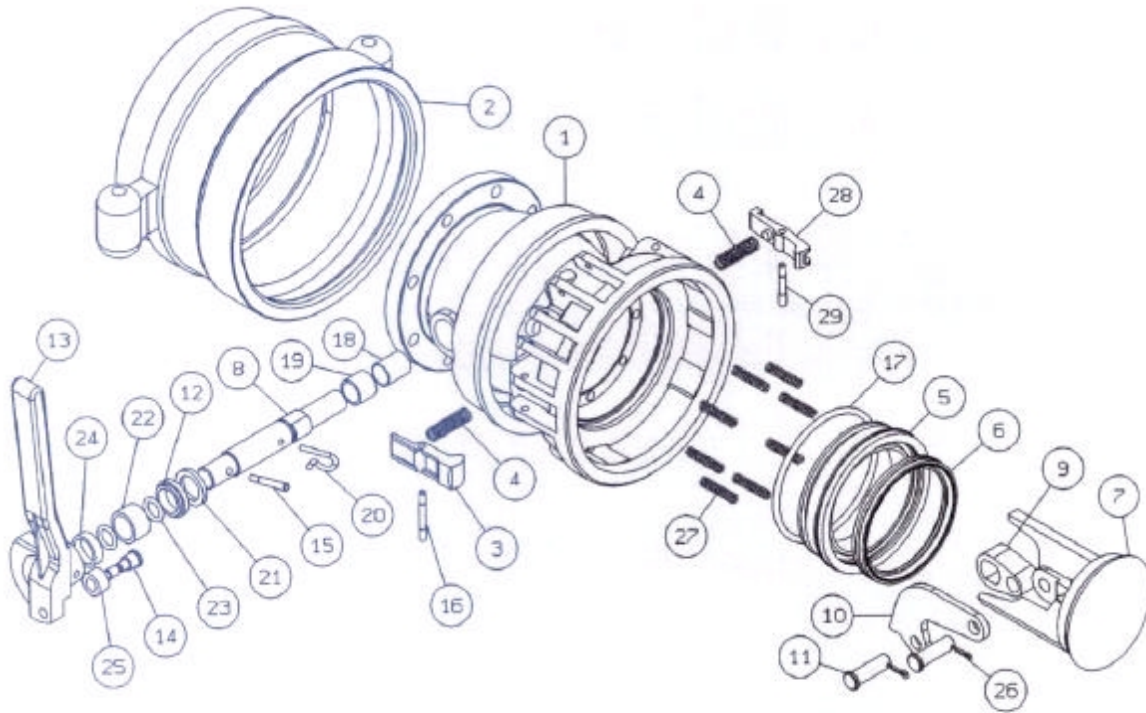


EW Fuel Management Ltd

27 Kneesworth Street, Royston, Hertfordshire,
SG8 5AB. England.
Tel : + 44 (0) 1763 248 650 Fax : +44 (0) 1763 248 970
Email : sales@ewfm.co.uk
Website : www.ewfm.co.uk

EWFM Inc.

201 Wild Berry Lane, Harvest, AL,
35749 USA.
Tel : 256 417 4315 Fax : 256 417 4322
Email : sales@ewfuelmanagement.com
Website : www.ewfuelmanagement.com

API Coupler 4" Model 3659**EW Fuel Management Ltd**27 Kneesworth Street, Royston, Hertfordshire,
SG8 5AB. England.

Tel : + 44 (0) 1763 248 650 Fax : +44 (0) 1763 248 970

Email : sales@ewfm.co.ukWebsite : www.ewfm.co.uk**EWFM Inc.**201 Wild Berry Lane, Harvest, AL,
35749 USA.

Tel : 256 417 4315 Fax : 256 417 4322

Email : sales@ewfuelmanagement.comWebsite : www.ewfuelmanagement.com



API Coupler 4" Model 3659

Item No	Description	Part Number	Qty	Material
1	Body	EW – 2161	1	Aluminium Alloy
2	Sleeve	EW – 2162	1	Aluminium Alloy
3	Locking Lug	EW – 2163	5	AISI 304
4	Spring	EW – 2164	7	Inox
5	Cylinder	EW – 2165	1	Aluminium Alloy
6	Cylinder Seal	EW – 2166	1	Viton
7	Valve	EW – 2167	1	Aluminium Alloy
8	Stem	EW – 2168	1	AISI 420
9	Link	EW – 2169	1	AISI 304
10	Bent Link	EW – 2170	2	Plated Steel
11	Pin	EW – 2171	2	AISI 420
12	Flanged Bush	EW – 2172	1	PTFE (Teflon)
13	Handle	EW – 2173	1	Aluminium Alloy
14	Handle Screw	EW – 2174	1	AISI 303
15	Handle Pin	EW – 2175	1	Carbon Steel
16	Lug Pin	EW – 2176	5	AISI 420
17	O-Ring	EW – 2177	1	Viton
18	Bushing 18 x 20	EW – 2178	1	
19	Stem Sleeve	EW – 2179	1	AISI 420
20	R-Clip	EW – 2180	1	Inox
21	Stem Washer	EW – 2181	1	AISI 420
22	Cylinder Bush	EW – 2182	1	PTFE (Teflon)
23	O-Ring	EW – 2183	2	Viton
24	Handle Bush	EW – 2184	1	PTFE (Teflon)
25	Handle Roller	EW – 2185	1	(Bronze Alloy
26	Split Pin	EW – 2186	2	Inox
27	Spring	EW – 2187	8	Inox
28	Trigger Lug	EW – 2188	2	AISI 304
29	Trigger Lug Pin	EW – 2189	2	AISI 420

EW Fuel Management Ltd

27 Kneesworth Street, Royston, Hertfordshire,
SG8 5AB. England.

Tel : + 44 (0) 1763 248 650 Fax : +44 (0) 1763 248 970

Email : sales@ewfm.co.uk

Website : www.ewfm.co.uk

EWFM Inc.

201 Wild Berry Lane, Harvest, AL,
35749 USA.

Tel : 256 417 4315 Fax : 256 417 4322

Email : sales@ewfuelmanagement.com

Website : www.ewfuelmanagement.com